

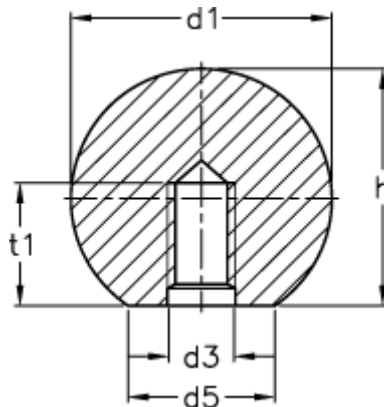
Data Sheet



Article number: 20126411

Description: E+G Ball knob DIN 319-KU-20-M6-C

Measures



d1	= 20
d3	= M6
d5	= 12
h	= 18.0
t1 min.	= 9.0